



## BWR300- BRUCE WASHING SYSTEM

Consisting of a double deck or triple deck washing screen and filter (trash screen). The unique BWR300 washing system increases the proportion of re-usable products that are produced, and is fully mobile allowing customers to process on site and maneuver easily to various locations.



## Features & Benefits

- Fully Mounted Washing System - consisting of Washing Screen, Log Washer & Filter (Trash) Screen
- Mobile or Semi Mobile skid frame - can be mounted on back of 45' trailer for ease of transportation.
- Multifunctional- suitable for a multiple of applications including Recycled Aggregate and Materials handling as part of a modular washing system
- Compact Unique design - easily transportable from site to site with a minimum set up time
- Highly productive and efficient screens with high frequency Motors
- Complete with control panel for connection direct to generator or wired to full system control panel
- Easy to operate in confined areas (Minimal Footprint)
- Hardox Wearparts as standard- to ensure longer wearlife

## Applications

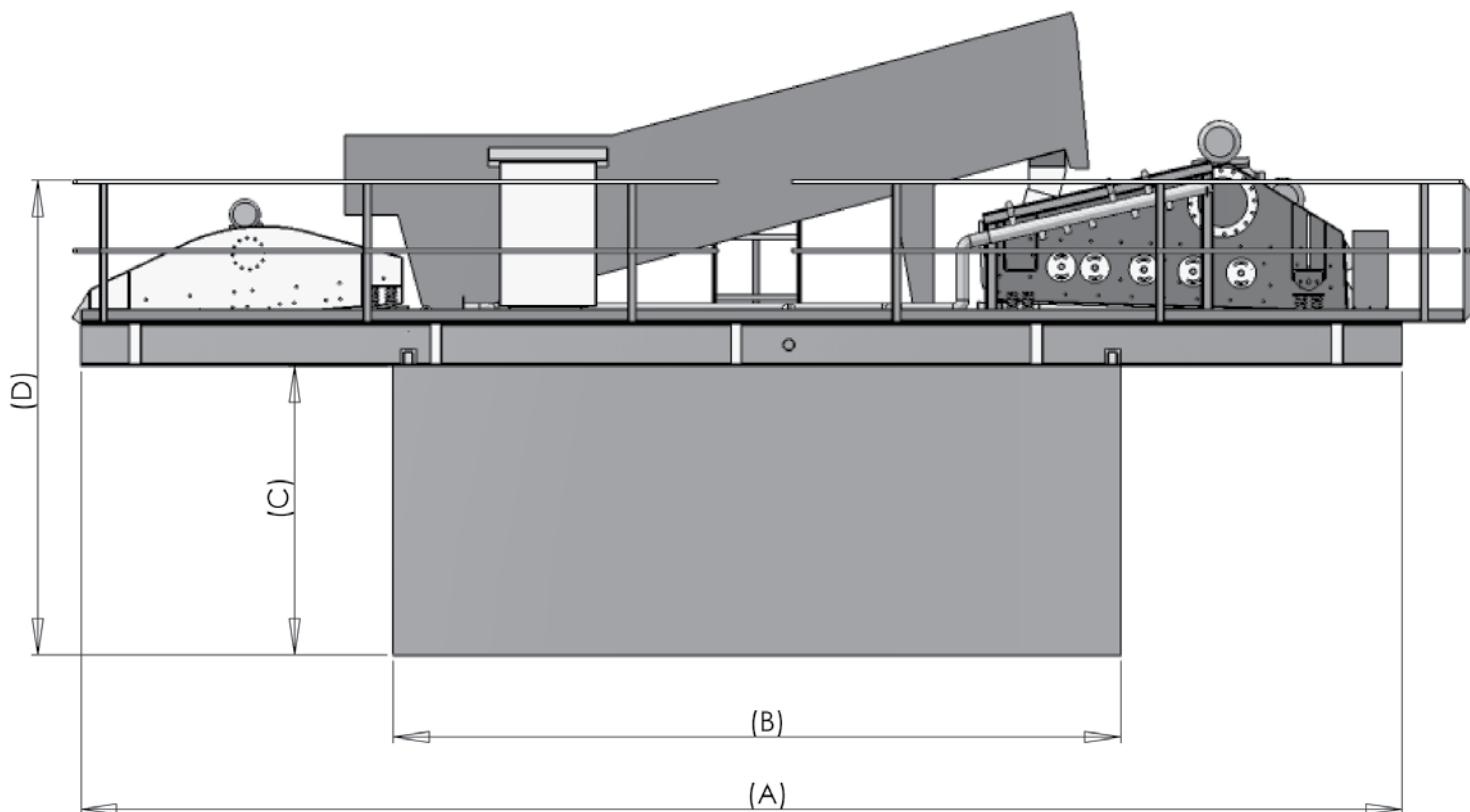
- Recycled Aggregate
- Sand & Gravel
- Primary Aggregate
- Railway Ballast
- Foundry & Metals
- Secondary Aggregate
- Asphalt
- Reclaimed Aggregate



## Options

- Double or Triple Deck Washing Screen
- This plant can also be supplied with a Sand Plant, Lamella/Thickener System and Silt Recovery System for complete Turnkey Solution
- Plant can be adapted to suit or compliment an existing system



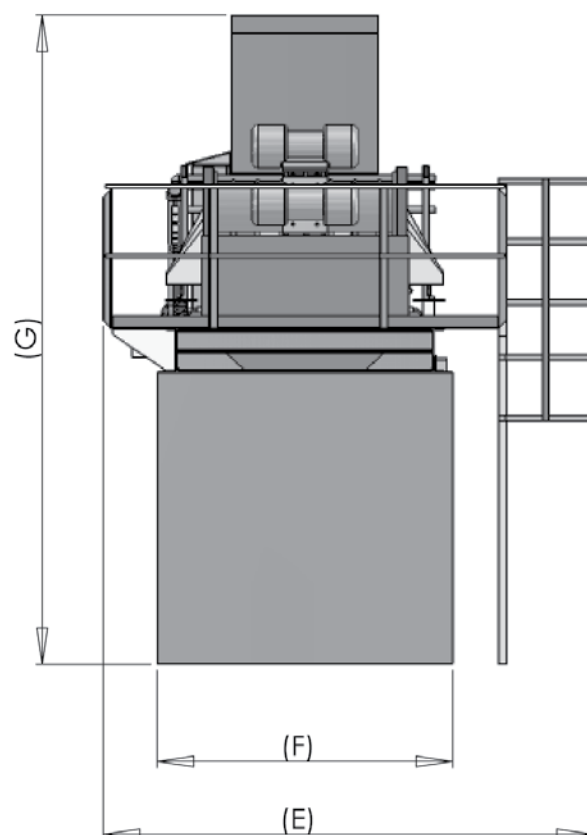


## Dimensions

- A: Length: 11m
- B: Length of Container: 5897mm
- C: Height of Container: 2392mm
- D: Height to Handrail (Incl. Container) : 5327mm
- Unit only 2935mm

- E: Width of Plant including ladder: 3600mm
- F: Width of Container: 2500mm
- G: Overall Height: 5340mm

Please note: The container is not included. The BWR300 can be mounted on a container, shutter walls or steel support structure.



Disclaimer- The information on this document is for reference only and can be changed without notice at any time.  
Please note any performance information is for guidance only and is not guaranteed.

